

ETX-2i

IP and Carrier Ethernet
Demarcation with D-NFV



Part of RAD's Service Assured Access solutions, the ETX-2i line of next-generation NID/NTUs offers advanced demarcation for SLA-based L2 and L3 business services, wholesale services and mobile backhaul. The ETX-2i is MEF Carrier Ethernet 2.0-certified and offers a complete service life-cycle toolset.

The ETX-2i also serves as a Universal CPE (uCPE), Whitebox+, which enhances a pluggable x86 server module with Physical Network Functions (PNFs) to enable superior performance for vCPE applications. It is supported by RADview management and orchestration.



Part of
RAD's Service Assured
Access Solutions



Your Network's Edge®

ETX-2i

IP and Carrier Ethernet Demarcation with D-NFV

Key Takeaways:

- Hybrid white box platform (**Whitebox+**) with embedded physical network functions (PNFs – routing, NID, tunneling, performance monitoring) in a single device to optimize inventory
- Optional activation of license-based PNFs lowers costs and provides pay-as-you-grow flexibility
- Powerful, carrier-class operating system uses interoperable NETCONF protocol, allowing service providers to control all devices and functions
- Wire-speed networking performance while preserving CPU resources for instantiation of additional VNFs
- Preserves established network operations procedures

Use ETX-2i for:



vCPE

Carrier Ethernet and IP VPNs

Performance Monitoring for Business VPNs



Mobile Backhaul



Wholesale Networking

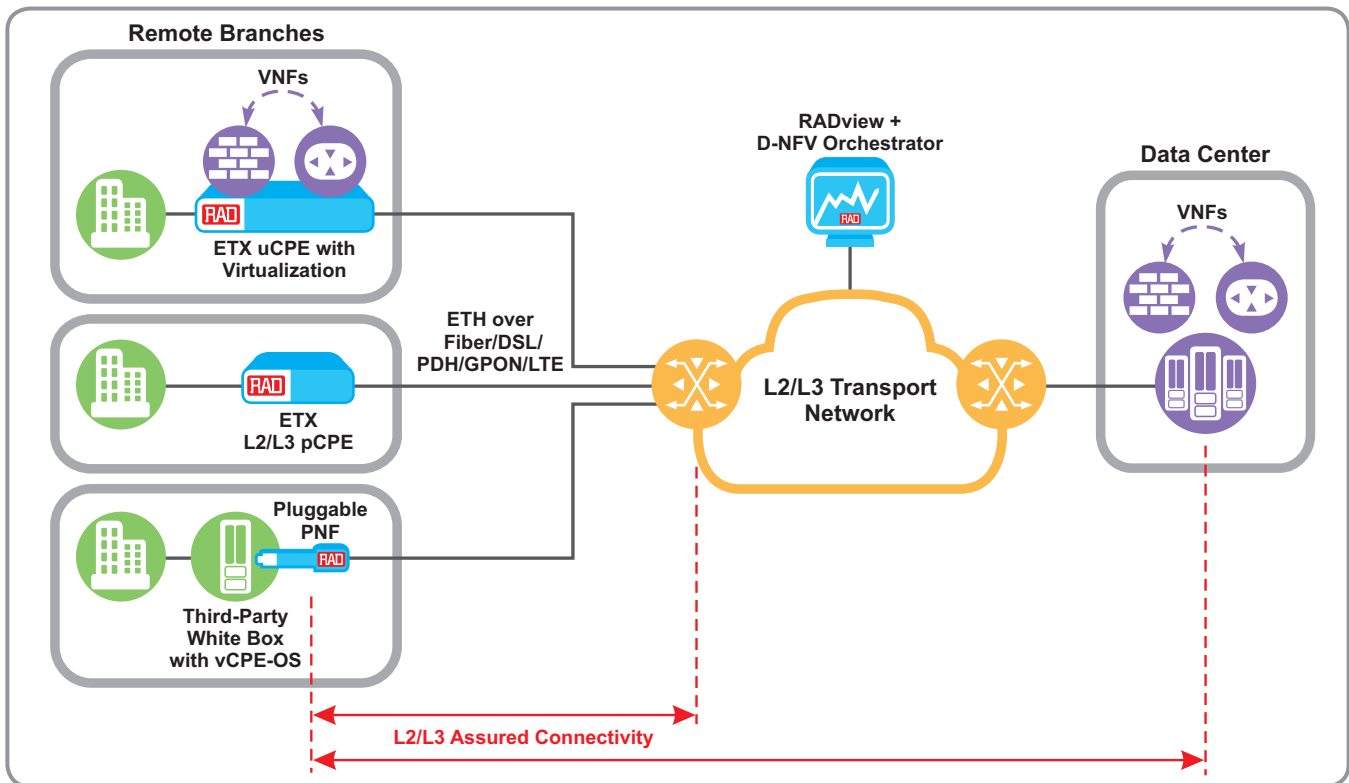


Highway Communications

Wireless Broadband Mobility for Trains and Metros

Broadband Mobility for Police and Military

vCPE for Business Services



Quick Specs for ETX-2i Ordering Options:

ETX-2i: IP and Carrier Ethernet Demarcation Device with D-NFV

- Up to eight 1-GbE combo ports
- Integrated wire-speed switch/router
- Modular network interfaces: FE/GbE (combo), E1/T1, T3, VDSL2, or SHDSL
- Flexible synchronization offering Sync-E, IEEE 1588v2 slave, BC and TC for frequency and phase synchronization in mobile networks
- Hot-pluggable x86 D-NFV server module for hosting virtual functions
- NEBS-compliant and environmentally hardened enclosure options



ETX-2i-B: IP and Carrier Ethernet Demarcation Device with D-NFV for SMBs

- 1U device with up to six 1-GbE ports
- 2U device with up to 10 x 1-GbE ports, ideal for cost-effective small-cell aggregation
- Integrated 6-Gbps switch/router
- Pluggable x86 D-NFV server module for hosting virtual functions (1U device)



ETX-2i-10G: 10G Carrier Ethernet Demarcation/Aggregation Device

- 19" unit with up to four 10-GbE ports and up to 24 1-GbE ports in various combinations
- Flexible synchronization offering Sync-E, IEEE 1588v2 slave, BC and TC for frequency and phase synchronization in mobile networks
- ITU-T G.8032 Ethernet Ring Protection Switching
- NEBS-compliant and environmentally hardened enclosure options

ETX-2i vCPE Applications

The ETX-2i features an x86-based D-NFV module for hosting virtual functions (VFs) and applications. The D-NFV module runs on vCPE-OS, which includes standard KVM hypervisor and OpenStack compute node to support third-party applications. RADview D-NFV Orchestrator enables easy VF download. Supported applications include:

SD-WAN

Software-defined control of WAN connections with secure overlay tunnels for business services

Router

Virtual router for hosted public clouds and branch CPE deployments

Cryptography

Standard AES 256-bit cipher encryption/decryption of L2-L4 traffic

Firewall

Unified threat management for provider-managed SMB services

PMC

Central generation of always-on performance monitoring over Layer 3 networks

Session Border Controller (SBC)

Manages VoIP signaling and media flows

Contact your local RAD distributor for additional/new application information



www.rad.com

Specifications are subject to change without prior notification. The RAD name, logo and logotype are registered trademarks of RAD Data Communications Ltd. RAD product names are trademarks of RAD Data Communications Ltd. ©2018 RAD Data Communications. All rights reserved. Catalog number 802724 Version 1/18